

# LP182\*182-M-54-MH

Rated Power 410-415W



**MBB Cell**  
New circuit design, lower internal current, lower internal resistance loss.



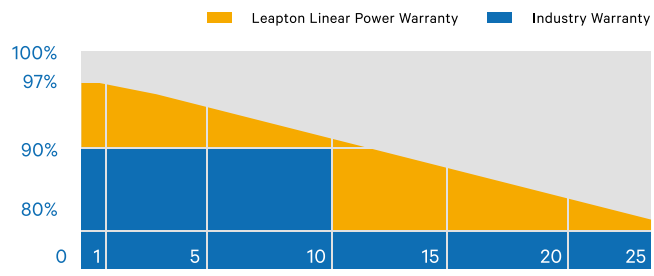
**Higher Output Power**  
Module adopts 108 pcs of 182\*182mm half cells, the maximum power can reach 415W.



**Low Light Features**  
Higher performance under low light environment.



**Load Capacity**  
Mechanical load tests including wind load 2400 Pa and snow load 5400 Pa done by TUV Nord.



**25 YEARS** Product Warranty

**25 YEARS** Power Warranty



IEC 61215-2: 2016  
IEC 61730-2: 2016

Headquarter : Leapton Energy Co., Ltd.

Tosei Bldg. 6F, 1-2-1 Aioi-cho, Chuo-ku Kobe-shi, Hyogo, 650-0025, Japan

+81-78-382-3182

www.leaptonenergy.jp

Manufacturer : Leapton Solar (Changshu) Co., Ltd.

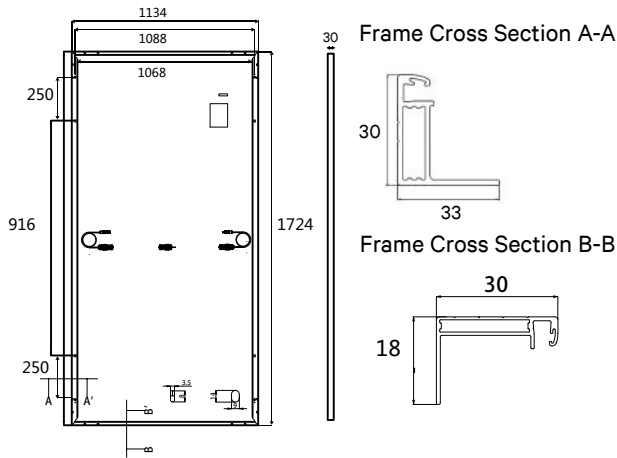
No.9, Sunshine Avenue, Changshu City, Jiangsu, China

+86-512-88800068

info@leaptonenergy.com

www.leaptonpv.com

## MECHANICAL DIAGRAMS



## SPECIFICATIONS

Weight	21.5kg
Dimensions	1724mm*1134mm*30mm
Cell Dimensions	182*182mm
Maximum System Voltage	1500V
Junction Box	IP68
Frame	Aluminum Alloy
Cable	4mm <sup>2</sup> , Landscape: N 1100mm/P 1100mm Portrait: N 200mm/P 300mm
Connector	PV-GZX 1500
Application Level	Class A
Country of Manufacturer	China
Fire Safety Class	Class C according to ANSI/UL 1703-2018

## ELECTRICAL PARAMETERS AT STC

Module Name	LP182*182-M-54-MH-410W	LP182*182-M-54-MH-415W
Power	410W	415W
Open Circuit Voltage	37.34V	37.54V
Short Circuit Current	13.70A	13.75A
Maximum Power Voltage	31.22V	31.62V
Maximum Power Current	13.06A	13.12A
Module Efficiency	20.97%	21.23%

\* Under Standard Test Conditions (STC) of irradiance of 1000 W/m<sup>2</sup>, spectrum AM 1.5 and cell temperature of 25°C.

## ELECTRICAL PARAMETERS AT NMOT

Power	302W	306W
Open Circuit Voltage	34.89V	35.09V
Short Circuit Current	10.80A	11.00A
Maximum Power Voltage	29.18V	29.38V
Maximum Power Current	10.35A	10.40A
Module Efficiency	15.45%	15.65%

\* Under Nominal Module Operating Temperature (NMOT), irradiance of 800 W/m<sup>2</sup>, spectrum AM 1.5, ambient temperature 20°C, wind speed 1 m/s.

## TEMPERATURE CHARACTERISTICS

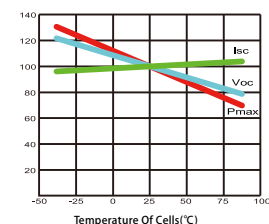
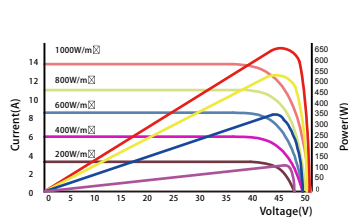
NMOT	41±3°C	Temp Coefficient of ISC	+0.05%/°C
Temp Coefficient of VOC	-0.28%/°C	Temp Coefficient of Pmax	-0.36%/°C

## PACKING CONFIGURATION

Modules/Pallet	36 Pieces	Modules/40'Container	936 Pieces
Packing Description	26 Pallets, Total=(36+36)x13=936 Pieces		

## CHARACTERISTICS

LP182\*182-M-54-MH-410W      LP182\*182-M-54-MH-410W



## MAXIMUM RATING

Output Tolerance	Pmax:±3% Binning:±5W Voc:±5% Isc:±5%
Operating Temperature	-40°C~+85°C
Wind Load/Snow Load	2400pa/5400pa
Fuse Current	15A

**25** YEARS Product Warranty

**25** YEARS Power Warranty